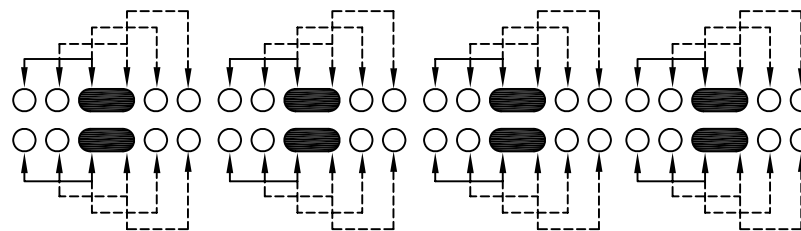
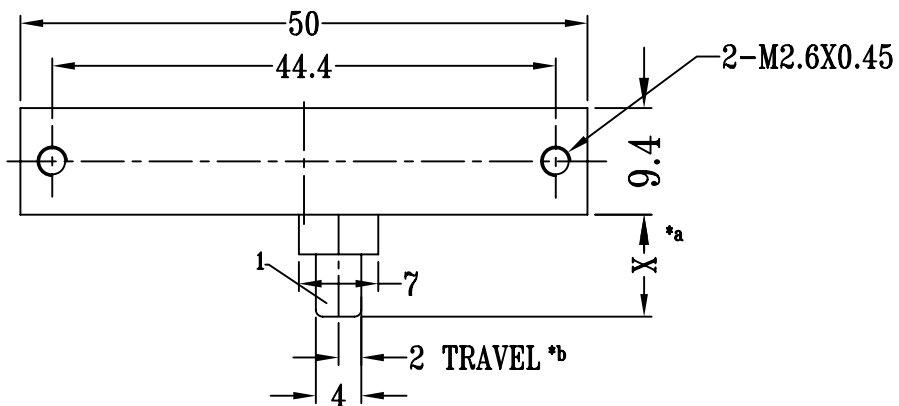
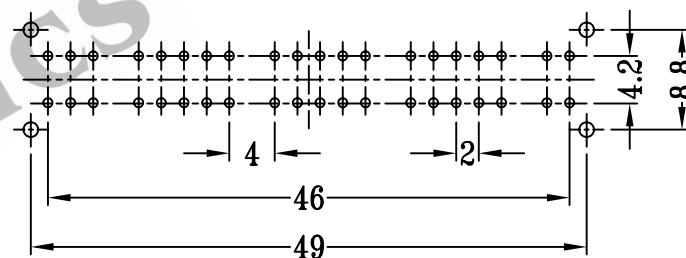
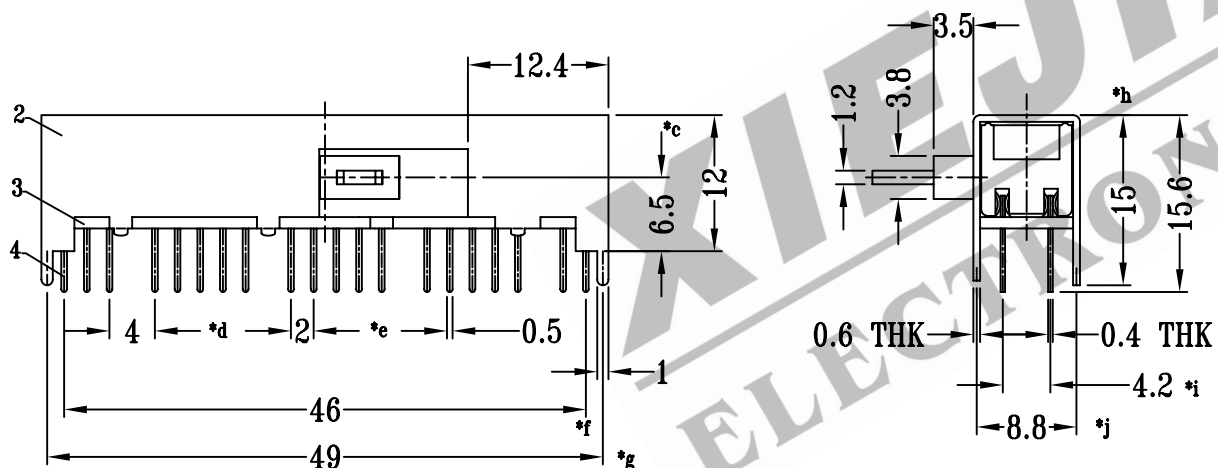


CAD FILE:



SCHMATIC (SHORTING)



P.C.B LAYOUT

注:带"*"表示关键尺寸(11个)

NO.	PARTS	MATERIALS	QTY	FINISH	TOLERANCE UNLESS SPECIFIED	SHENZHEN XIEJIA ELECTRONICS CO.,LTD.				
8						TITLE : HORIZONTAL SLIDE SWITCH				
7	CONTACT CLIP	PBS STRIP	8	Ag PLATED						
6	STEEL BALL	STEEL	1	NATURAL	WITHIN: 1.5±0.1mm	ISSUE	DATE	DESCRIPTIONS OF REVISION		APPD
5	SPRING	STEEL WIRE	1	TEMPER	OVER : 1.5±0.2mm					
4	TERMINAL	BRASS STRIP	40	Ag PLATED OVER Ni PLATED	MODEL: SK-84D02		UNIT : mm	DRWG NO.: XJ-DR-SK84D02-00		
3	BASE	PHENOLIC RESIN	1	NATURAL			SCALE: 3:2	DWN	ZHOUYU	2005-9-5
2	FRAME	STEEL STRIP	1	Ni PLATED				CHK'D	FANGYING	2005-9-5
1	KNOB	POM	1	BLACK				APPD	KANGXINAN	2005-9-5
					ALL MATERIALS MUST BE COMPLIANT TO ROHS					